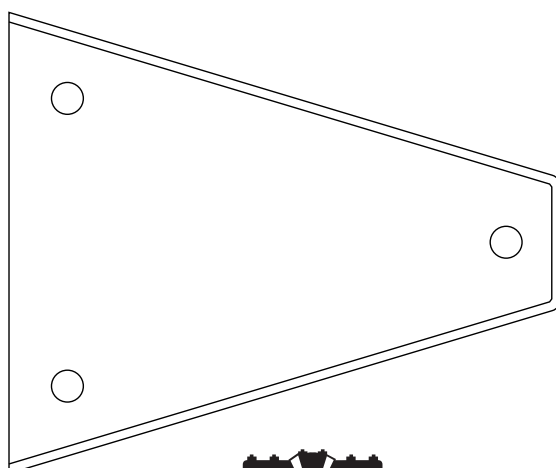
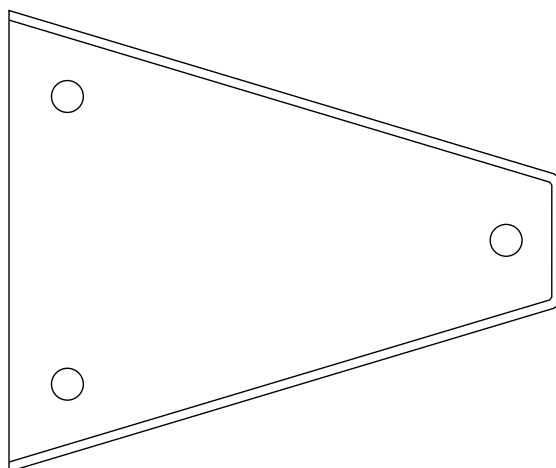


Signature Truss Rod Cover Template DMS-918-JACKSON



PHILADELPHIA LUTHIER
TOOLS & SUPPLIES

Instructions:

- Sign your name twice using a sharp pointed writing device (ie. pencil, felt tip marker, etc.). Do not use a wide calligraphy style pen.
- Keep pressure consistent to make line thickness uniform.
- Make each signature identical.
- Stay inside the double lines.
- Position and size your signature as you prefer for it to appear on the truss rod cover.
- Send only the best samples of your signature.
- Scan (preferred) or send photo of this sheet with your order. If you take a photo, make sure the camera is positioned directly above to prevent distortion of the signature.
- Any questions, please email us at support@philadelphialuthiertools.com